



## Installation Instructions

### Experimental SunTail



AeroLEDs, LLC  
 8475 W. Elisa St.  
 Boise, ID, 83709  
 208-850-3294

**NOTE:** A printed copy of this document may not be the latest revision. It is the responsibility of the user to ensure that the latest revision is used. The latest revision of this document may be printed from the AeroLEDs electronic document repository. Revision history follows on page 2

This document contains proprietary information of AeroLEDs. Neither receipt nor possession thereof confer any right to reproduce or use, or disclose, in whole or in part, any such information without written permission from AeroLEDs.

Approval	Name	Intent	
Author	Robert Prew	Installation and operation instructions for the Experimental SunTail series lights	
Check	J. Savino		
Quality	M. McCormack		
Date:	5 December 2019		
<b>Status:</b> Released	Typed signatures indicate approval. Handwritten, or electronic signature approval of this document is on file at AeroLEDs, Boise, Idaho.	<b>Document Number</b> 0009-0026	<b>Revision</b> IR



# REVISION RECORD

Rev	Description	Date	Author
IR	Original Version	12/05/2019	R. Prew

## TABLE OF CONTENTS

<b>1</b>	<b>Part Number Matrix .....</b>	<b>3</b>
<b>2</b>	<b>Specifications .....</b>	<b>3</b>
<b>3</b>	<b>Limitations and Installation Instructions .....</b>	<b>3</b>
3.1	Equipment Limitations .....	3
3.2	Instructions for Continued Airworthiness .....	3
3.3	Installation Procedures.....	3
<b>4</b>	<b>Installation and Wiring Diagrams .....</b>	<b>4</b>
4.1	Mounting Diagram.....	4
4.2	Wiring Diagram.....	4



# 1 Part Number Matrix

Table 1-1: Applicable Part Numbers

Part Number	Description
01-1260-12	Position and anti-collision light (14V)
01-1260-24	Position and anti-collision light (28V)

## 2 Specifications

<b>Operational Voltage:</b>	Separate 14 & 28 V <sub>DC</sub> Systems
<b>Position Input Current:</b>	0.4A at 14V, 0.2A at 28V
<b>Strobe Average Current:</b>	0.5A at 14V, 0.3A at 28V

## 3 Limitations and Installation Instructions

### 3.1 Equipment Limitations

This light is designed to be mounted on the exterior of the aircraft in non-enclosed locations to ensure proper cooling.

### 3.2 Instructions for Continued Airworthiness

3.2.1 The SunTail LED rear position and anti-collision light assembly is designed with 18 LEDs mounted beneath the anti-collision lens. Should any one LED fail, the unit must be repaired or replaced. View LEDs with welding goggles for eye safety. **Note:** only 6 LEDs are used for the position light mode, and 12 are used for the strobe.

### 3.3 Installation Procedures

- 3.3.1 The installation procedure described in the following text is for a single light installation, but the procedure is identical for multiple light installations.
- 3.3.2 Refer to Photo 4-1 and mount the light to the tail mounting location using two 4-40 100-degree countersunk screws. Ensure that the body of the light is grounded to structure via the mounting screws. If necessary, route a ground strap from one mounting screw to structure ground. Proper chassis ground is required for protection from direct lightning effects. Ensure that the light is mounted with the small vent hole toward the bottom.
- 3.3.3 **WARNING:** Do not connect the strobe power wire to a Xenon strobe power pack. This can damage the light and **voids the warranty**
- 3.3.4 Refer to Photo 4-2 and connect the red position wire to switched power for the position lights. Connect the yellow strobe wire to switched power for the strobe lights. Connect the green sync wire to the synchronization wire from the other installed AeroLEDs lights (if applicable). Connect the black system ground wire to the shield and connect to the central aircraft ground bus.
- 3.3.5 Update Aircraft records

# 4 Installation and Wiring Diagrams

## 4.1 Mounting Diagram

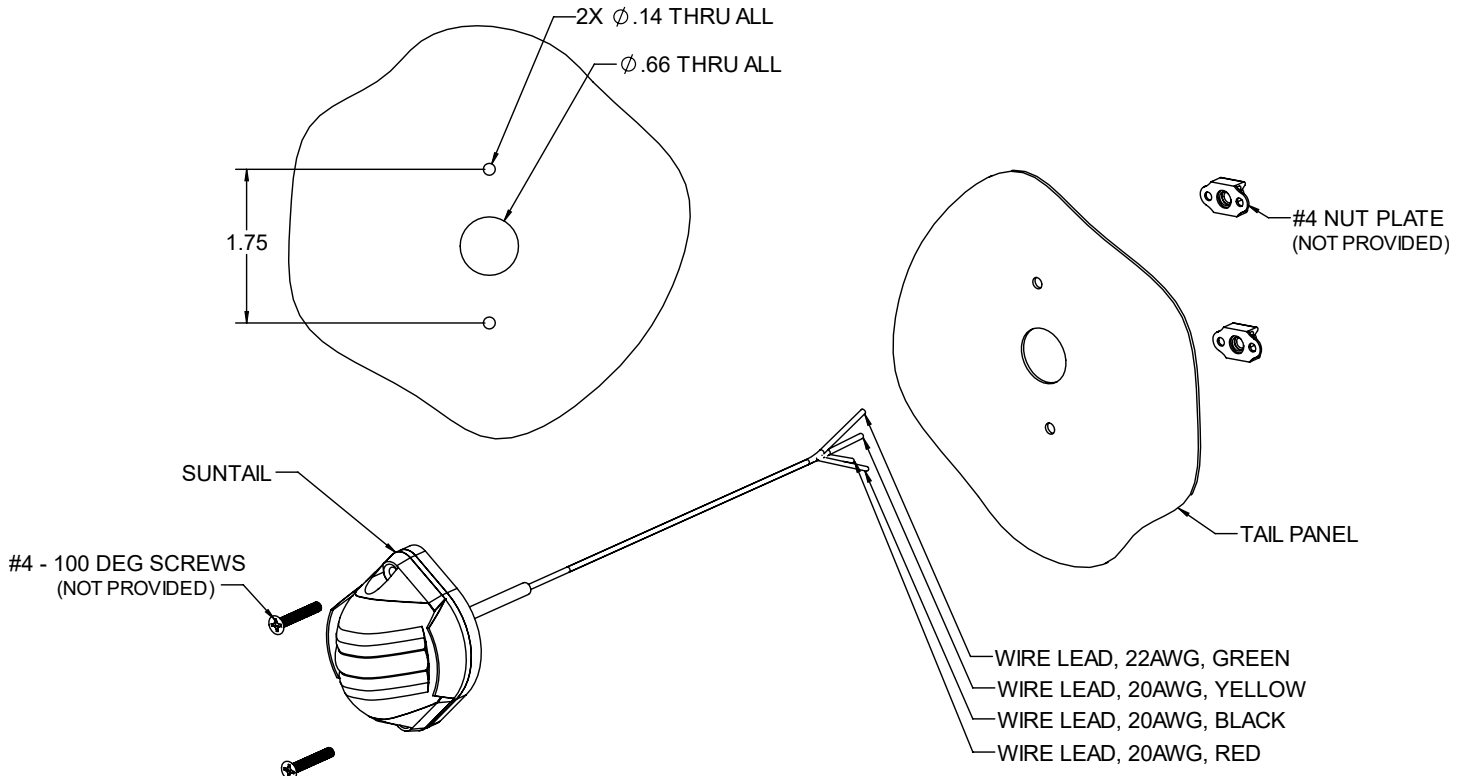


Photo 4-1

## 4.2 Wiring Diagram

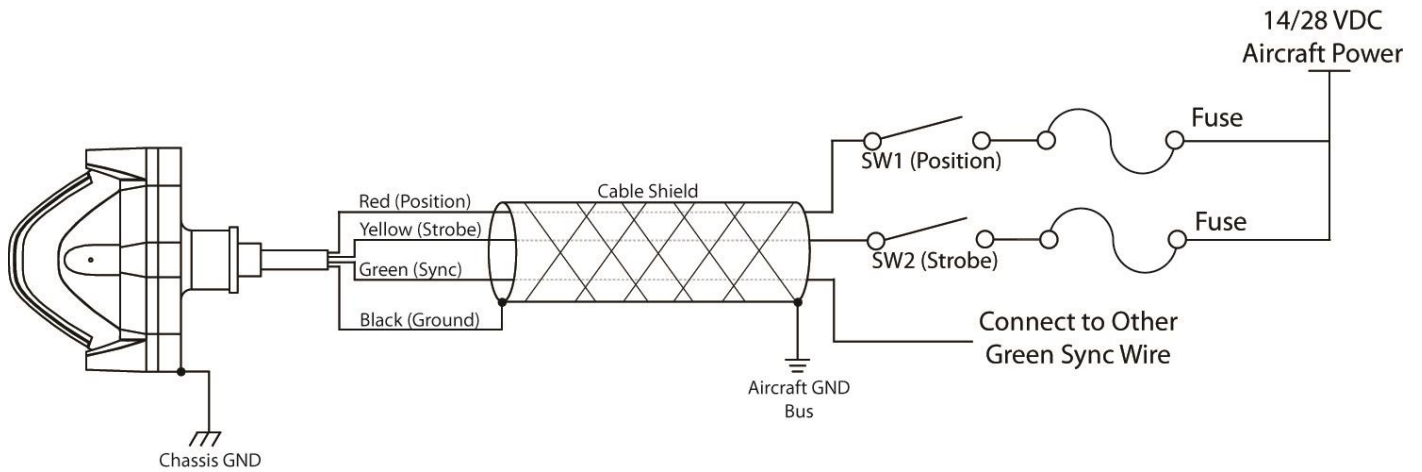


Photo 4-2