

Property of
Sensata Technologies

| ZONE | REV. | REVISION DESCRIPTION | ECN NO. | DATE |
|------|------|---|------------|-------------|
| B1 | F | ADDED DASH BETWEEN 7 AND 1/2 FOR CUSTOMER P/N MS25244-71/2; PAF | ECN0042068 | 04-JUN-2008 |

DETAIL PERFORMANCE PER MIC-C-5809 + MS25244

| | | |
|---------------------|-------|-------------------------------------|
| OVERLOAD CYCLING | ----- | 100 CYCLES AT 200% RATED CURRENT |
| VIBRATION | ----- | 10 G'S |
| MECHANICAL SHOCK | ----- | 30 G'S PEAK |
| ACCELERATION | ----- | 10 G'S |
| SAND & DUST | ----- | 12 HOURS |
| CORROSION | ----- | SALT SPRAY 96 HOURS |
| MOISTURE RESISTANCE | ----- | 10 DAYS |
| EXPLOSION PROOF | ----- | WHILE INTERRUPTING RUPTURE CURRENTS |

ENDURANCE:

| | | |
|------------|------------------|--------------|
| 120 VAC | 400 HZ INDUCTIVE | 2,500 CYCLES |
| 30 VDC | 400 HZ RESISTIVE | 5,000 CYCLES |
| | INDUCTIVE | 2,500 CYCLES |
| | RESISTIVE | 5,000 CYCLES |
| MECHANICAL | NO LOAD | 5,000 CYCLES |

CALIBRATION:

| | 5-7 1/2 AMP MIN. ULT. TRIP | 10-35 AMP MIN. ULT. TRIP | 5-7 1/2 AMP MAX. ULT. TRIP | 10-35 AMP MAX. ULT. TRIP | 5-35 AMP 200% | 5-35 AMP 400% | 5-35 AMP 600% |
|------------------|----------------------------------|--------------------------------|----------------------------------|--------------------------------|------------------|------------------|------------------|
| +25°C. (+77°F.) | 115% | 115% | 138% | 138% | 15 - 55 SEC. | 2 - 7 SEC. | 1.0 - 3.5 SEC. |
| -40°C. (-40°F.) | 156% | 148% | 178% | 178% | - | - | - |
| +71°C. (+160°F.) | 60% | 70% | 108% | 114% | - | - | - |

RUPTURE:

| | | |
|-------------------|----------------|--------------|
| 5 AMP THRU 35 AMP | 120 VAC 400 HZ | 3500 AMPERES |
| 5 AMP THRU 35 AMP | 30 VDC | 6000 AMPERES |

MAXIMUM OPERATING FORCES:

| | | |
|----------|-------|-------------|
| PULL OUT | ----- | 1.2-8 LBS. |
| RESET | ----- | 1.8-12 LBS. |

OPERATING ALTITUDE:

65,000 FT. (<20,000m)

WEIGHT/MASS:

.1 LBS. MAX. (45 GRAMS)

VOLTAGE DROP:

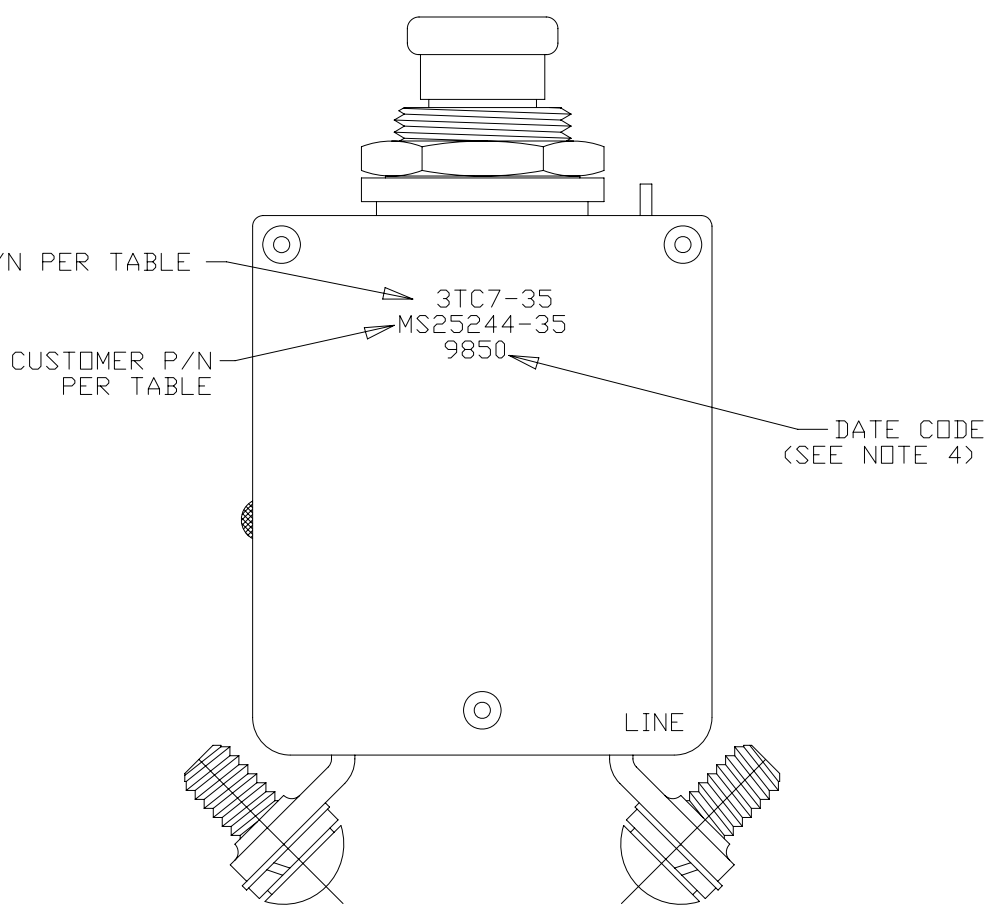
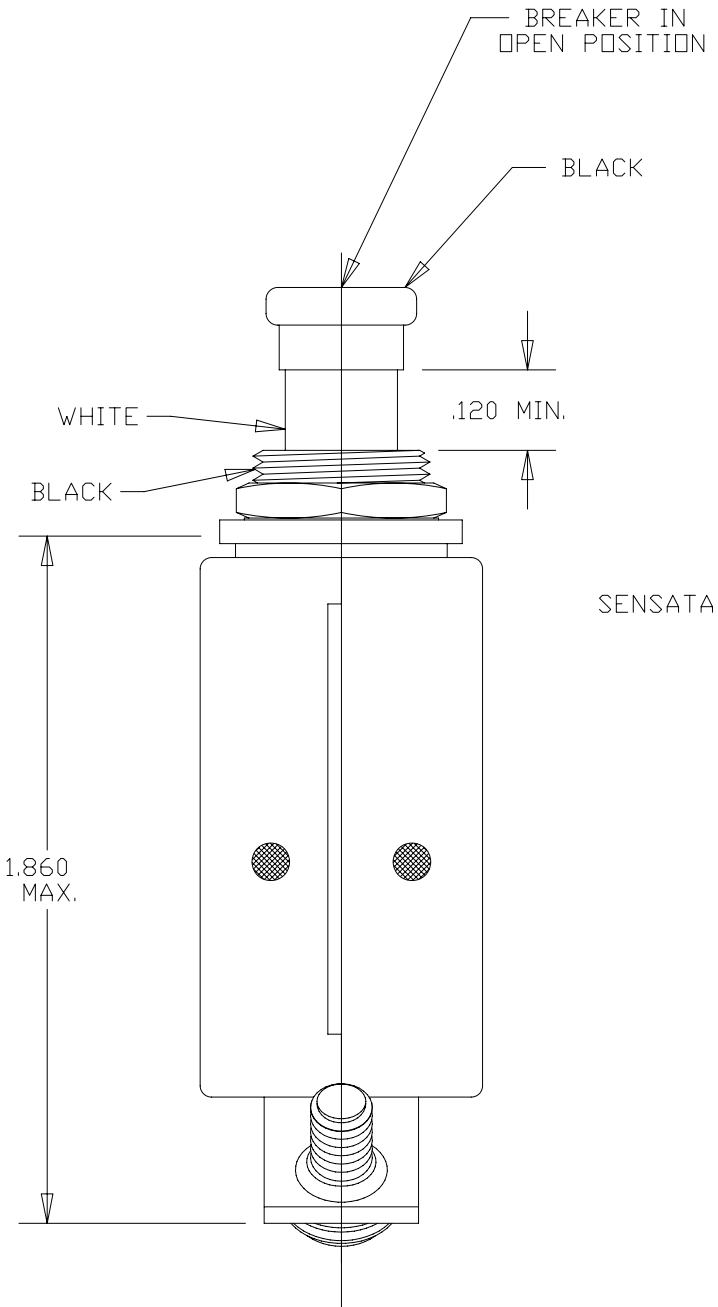
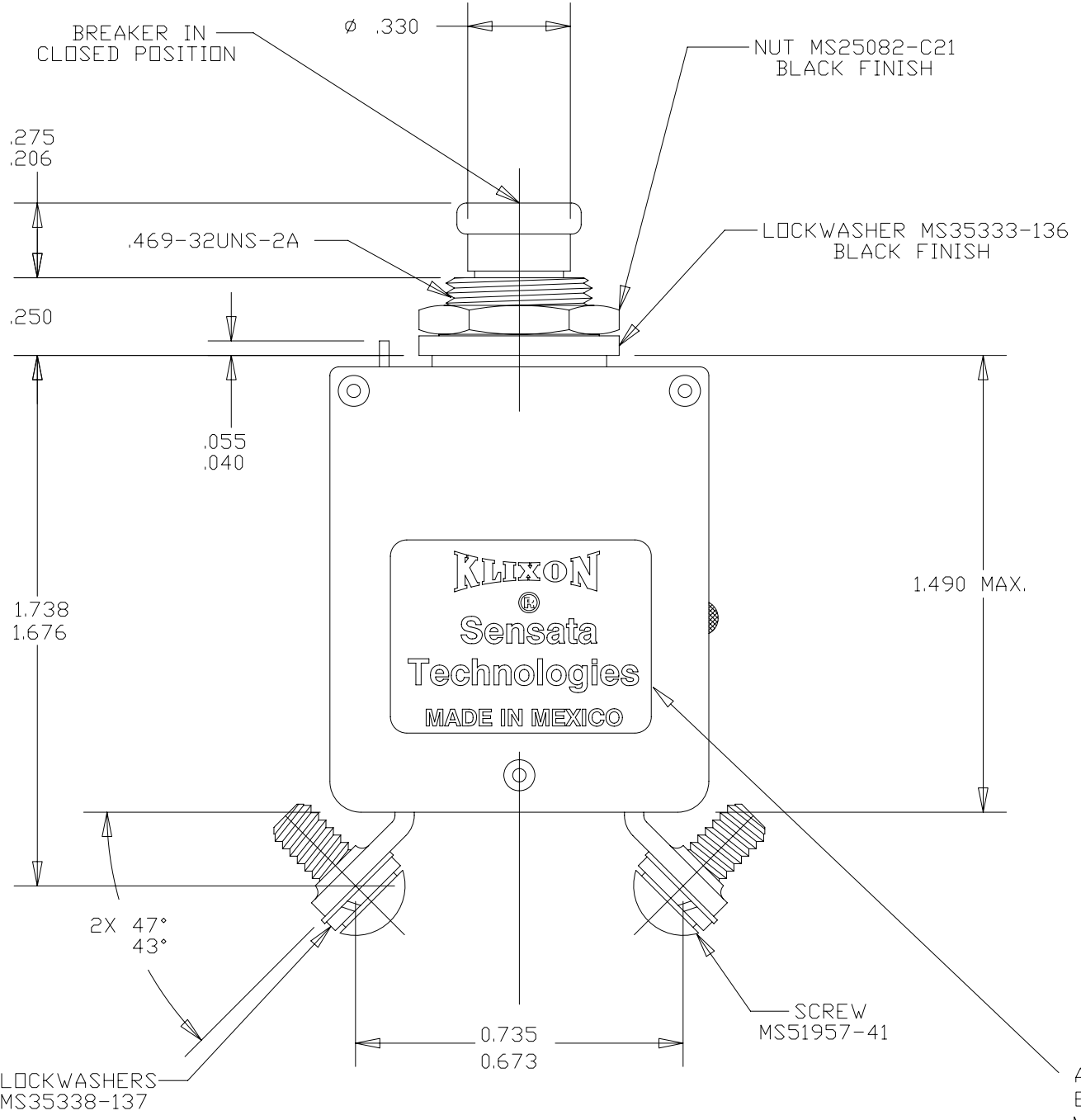
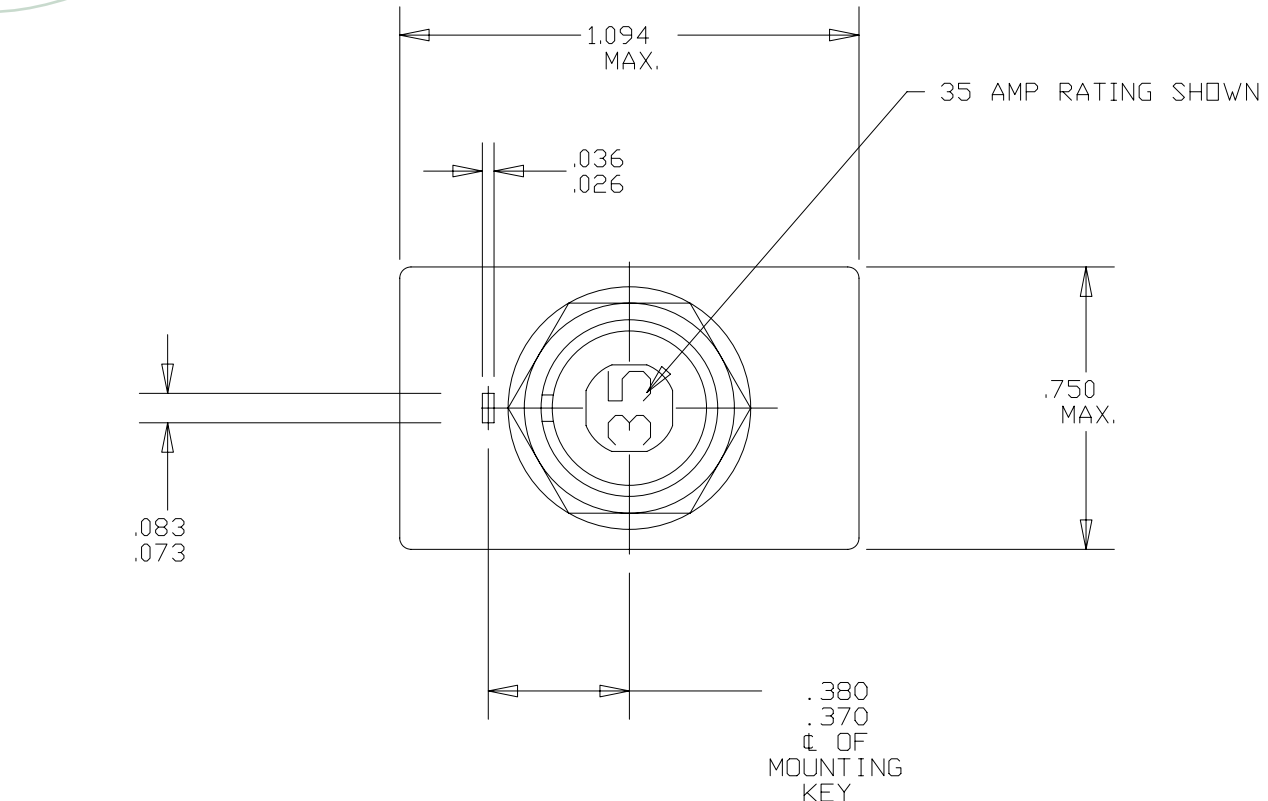
5 THRU 35 AMP ----- 0.25 VOLTS MAX.

D

C

B

A



| SENSATA P/N | CUSTOMER P/N | AMP RATING |
|-------------|---------------|------------|
| 3TC7-5 | MS25244-5 | 5 |
| 3TC7-7 1/2 | MS25244-7-1/2 | 7 1/2 |
| 3TC7-10 | MS25244-10 | 10 |
| 3TC7-15 | MS25244-15 | 15 |
| 3TC7-20 | MS25244-20 | 20 |
| 3TC7-25 | MS25244-25 | 25 |
| 3TC7-30 | MS25244-30 | 30 |
| 3TC7-35 | MS25244-35 | 35 |

ALL LETTERING AND SYMBOLS, EXCEPT KLIXON, MUST BE ENGRAVED IN SWISS 721 BT FONT. ALL LETTERING AND SYMBOLS MUST BE RAISED IN THE PART ON A RECESSED AREA .003-.010 DEEP. RAISED LETTERING MUST NOT EXTEND BEYOND THE SURFACE OF THE CASE AND MUST BE LEGIBLE.

- NOTES:
- EPOXY SURFACES ARE NON-DIMENSIONED. ENVELOPE DRAWING DIMENSIONS DO NOT APPLY TO THESE PROJECTED EPOXY SURFACES.
 - TERMINAL AND MOUNTING HARDWARE MAY BE PACKAGED RATHER THAN INSTALLED.
 - COUNTRY OF ORIGIN IS SHOWN FOR ILLUSTRATION PURPOSES ONLY. COUNTRY OF ORIGIN TO BE IDENTIFIED AS REQUIRED.
 - DATE CODE PER 10588-285.
 - ALL MARKINGS TO BE MADE IN APPROXIMATE POSITIONS SHOWN, WITH BLACK INK PER 12506-70; 3/32 INCH HIGH CHARACTERS.

| | | | |
|--|---|---|---|
| FOR REFERENCE ONLY, CHECK LATEST REVISION BEFORE USE. PARTS MADE TO THIS PRINT MUST CONFORM TO E9898 REV. E | | 529 PLEASANT STREET P.O. BOX 2964 ATTLEBORO, MA 02703 | |
| DRAWN JOSE GONZALEZ DATE 21-DEC-1998 | ENGINEER M. LAVADO DATE 21-DEC-1998 | APPROVED B. CAREY DATE 21-DEC-1998 | APPROVED C. PELLON DATE 21-DEC-1998 |
| SENSATA TECHNOLOGIES PROPRIETARY AND CONFIDENTIAL. NEITHER THIS PRINT NOR THE INFORMATION CONTAINED HEREON IS TO BE USED AGAINST THE INTERESTS OF SENSATA TECHNOLOGIES OR AGAINST THE INTERESTS OF ANY OF ITS AFFILIATED COMPANIES OR WHOLLY OWNED SUBSIDIARIES. | | TITLE 3TC7 PUSH-PULL TRIP-FREE CIRCUIT BREAKER ENVELOPE DRAWING | |
| UNLESS OTHERWISE SPECIFIED DIMENSIONS ARE IN INCHES TOLERANCES DECIMALS ANGLES | | UNLESS OTHERWISE NOTED ALL DECIMALS +/- .015 | |
| DO NOT SCALE DRAWING | | THIRD ANGLE PROJECTION | |
| SIZE C | DWG NO. 3TC7 | REV. F | SCALE 1:1 AUTOCAD SHEET 1 OF 1 |
| DEVICE: | | PROJECT: 1 | |

D

C

B

A

4

3

2

1