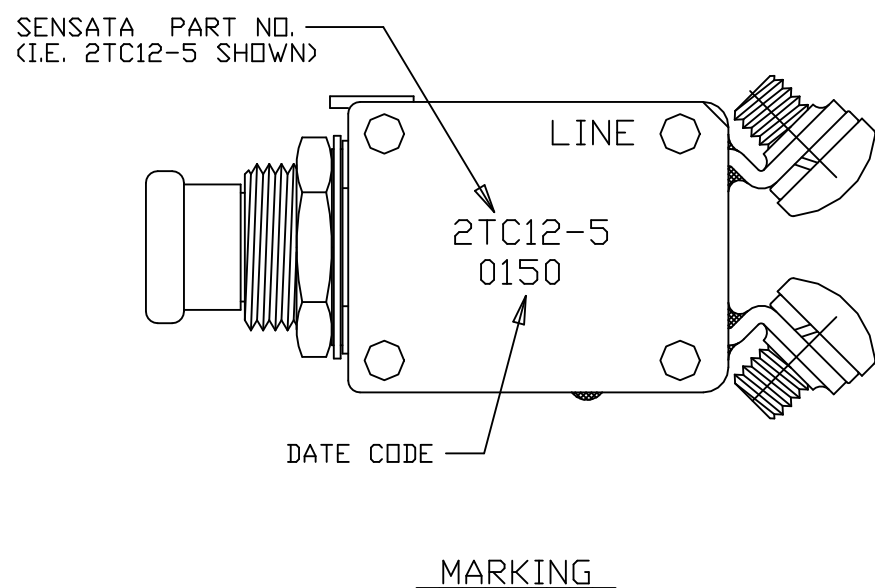
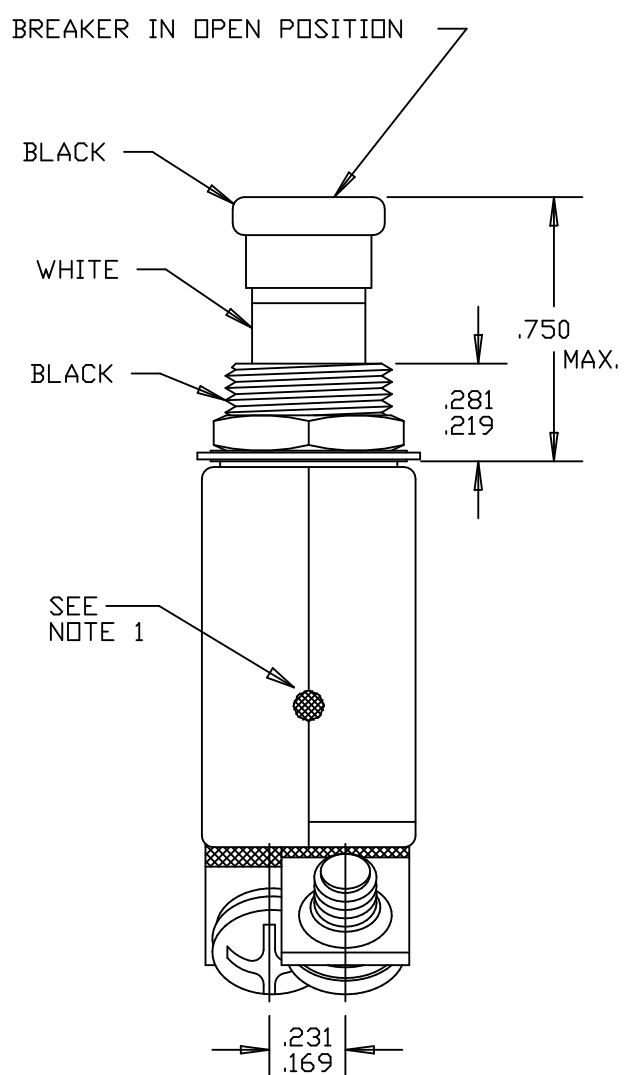
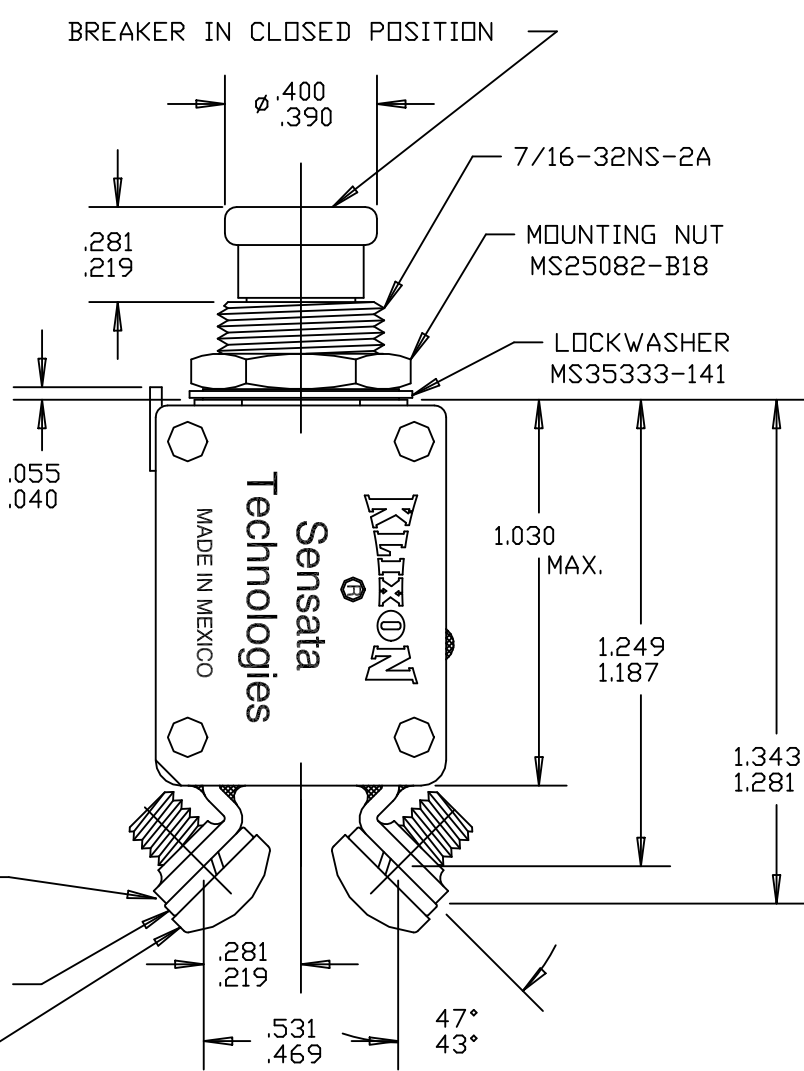
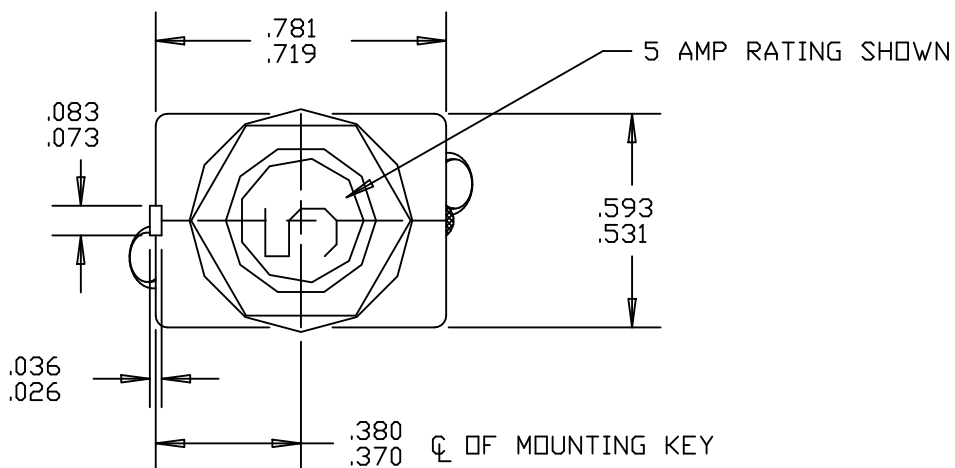


ZONE	REV.	REVISION DESCRIPTION	ECN NO.	DATE
B2	V	REMOVE 3.5 AMP; ADD 4 AMP; PD	ECO-052367	01-MAR-2010

NOTES:

- EPOXY SURFACES ARE NON-DIMENSIONED, ENVELOPE DRAWING DIMENSIONS DO NOT APPLY TO THESE PROJECTED EPOXY SURFACES.
- TERMINAL AND MOUNTING HARDWARE MAY BE PACKAGED RATHER THAN INSTALLED
- COUNTRY OF ORIGIN IS SHOWN FOR ILLUSTRATION PURPOSES ONLY, COUNTRY OF ORIGIN TO BE IDENTIFIED AS REQUIRED.
- DATE CODE PER 10588-285.
- MARK IN APPROXIMATE POSITION SHOWN IN BLACK INK PER 12506-70.

Property of  
Sensata Technologies



PERFORMANCE CHARACTERISTICS

DETAIL PERFORMANCE PER MIL-C-5809

OVERLOAD CYCLING	-----	100 CYCLES AT 200% RATING
VIBRATION	-----	10 G'S MINIMUM 50-500 HZ
MECHANICAL SHOCK	-----	50 G'S
ACCELERATION	-----	10 G'S
SAND AND DUST	-----	12 HOURS
CORROSION	-----	SALT SPRAY 50 HOURS
HUMIDITY	-----	10 DAYS
EXPLOSION PROOF	-----	WHILE INTERRUPTING RUPTURE CURRENTS

ENDURANCE:

120 VAC	400 HZ INDUCTIVE	2500 CYCLES
30 VDC	400 HZ RESISTIVE	5000 CYCLES
MECHANICAL	INDUCTIVE	2500 CYCLES
	RESISTIVE	5000 CYCLES
	NO LOAD	10000 CYCLES

CALIBRATION: 1 AMP THRU 25 AMP

	MIN. ULT. TRIP	MAX. ULT. TRIP	200%
+25°C, +77°F	115% RATING	138% RATING	5-16 SEC.
-55°C, -65°F	115% RATING	165% RATING	7-35 SEC.
+121°C, +250°F	100% RATING	145% RATING	3-13 SEC.

RUPTURE:

1 THRU 15 AMP	120 VAC, 400 HZ	2500 AMPS
20 AMP	120 VAC, 400 HZ	2000 AMPS
1 THRU 20 AMP	28 VDC	6000 AMPS
25 AMP	28 VDC	1625 AMPS
25 AMP	120 VAC, 400 HZ	1800 AMPS

MAXIMUM OPERATING FORCES

PULL OUT	-----	5 LBS. MAX. (22.2 N)
RESET	-----	5 LBS. MAX. (22.2 N)

OPERATING ALTITUDE: 70,000 FT. (21,000 M)

WEIGHT: 25.0 GRAMS MAX.

VOLTAGE DROP:

1 AMP	-----	1.10 VOLTS MAX.
2 AMP	-----	0.70 VOLTS MAX.
2.5 AMP	-----	0.50 VOLTS MAX.
3 AMP	-----	0.40 VOLTS MAX.
4 AMP	-----	0.37 VOLTS MAX.
5 AMP	-----	0.35 VOLTS MAX.
7.5 AMP	-----	0.30 VOLTS MAX.
10 AMP	-----	0.28 VOLTS MAX.
15 AMP	-----	0.25 VOLTS MAX.
20 AMP	-----	0.25 VOLTS MAX.
25 AMP	-----	0.20 VOLTS MAX.

FOR REFERENCE ONLY, CHECK LATEST REVISION BEFORE USE. PARTS MADE TO THIS PRINT MUST CONFORM TO E9898 REV. E		529 PLEASANT STREET P.O. BOX 2964 ATTLEBORO, MA 02703	
DRAWN D. LARSEN	DATE 22-SEP-1995	TITLE PART NO. 2TC12 AMBIENT COMPENSATED, HIGH TEMP. CIRCUIT BREAKER PUSH-PULL, TRIP FREE ENVELOPE DRAWING	
ENGINEER D. EISNOR	DATE 29-NOV-1967	SIZE C	DWG NO. 2TC12
APPROVED	DATE	DO NOT SCALE DRAWING	THIRD ANGLE PROJECTION
APPROVED	DATE	SCALE 1:1	
DEVICES:		PROJECT: 1	
DATE		SHEET 1 OF 1	