

iPad® Knee Dock

Spec Sheet

Rev 03/30/2018



Width: 7.93 in
Height: 9.79 in
Depth: 3.75 in

Weight: 13.1 ounces

- iPad holder can be set in portrait or landscape
- Includes adjustments clips to work with iPad versions 2 & 3
- Elastic strap
- Includes Flight Pads

iPad, iPad2, iPad3



All trademarks and registered trademarks are the property of their respective owners.

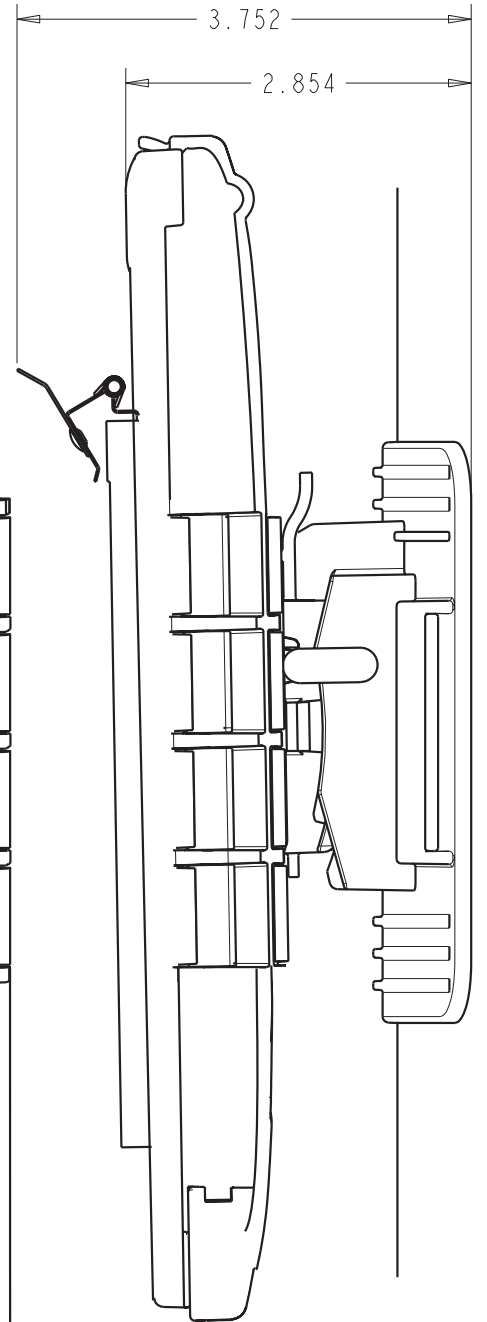
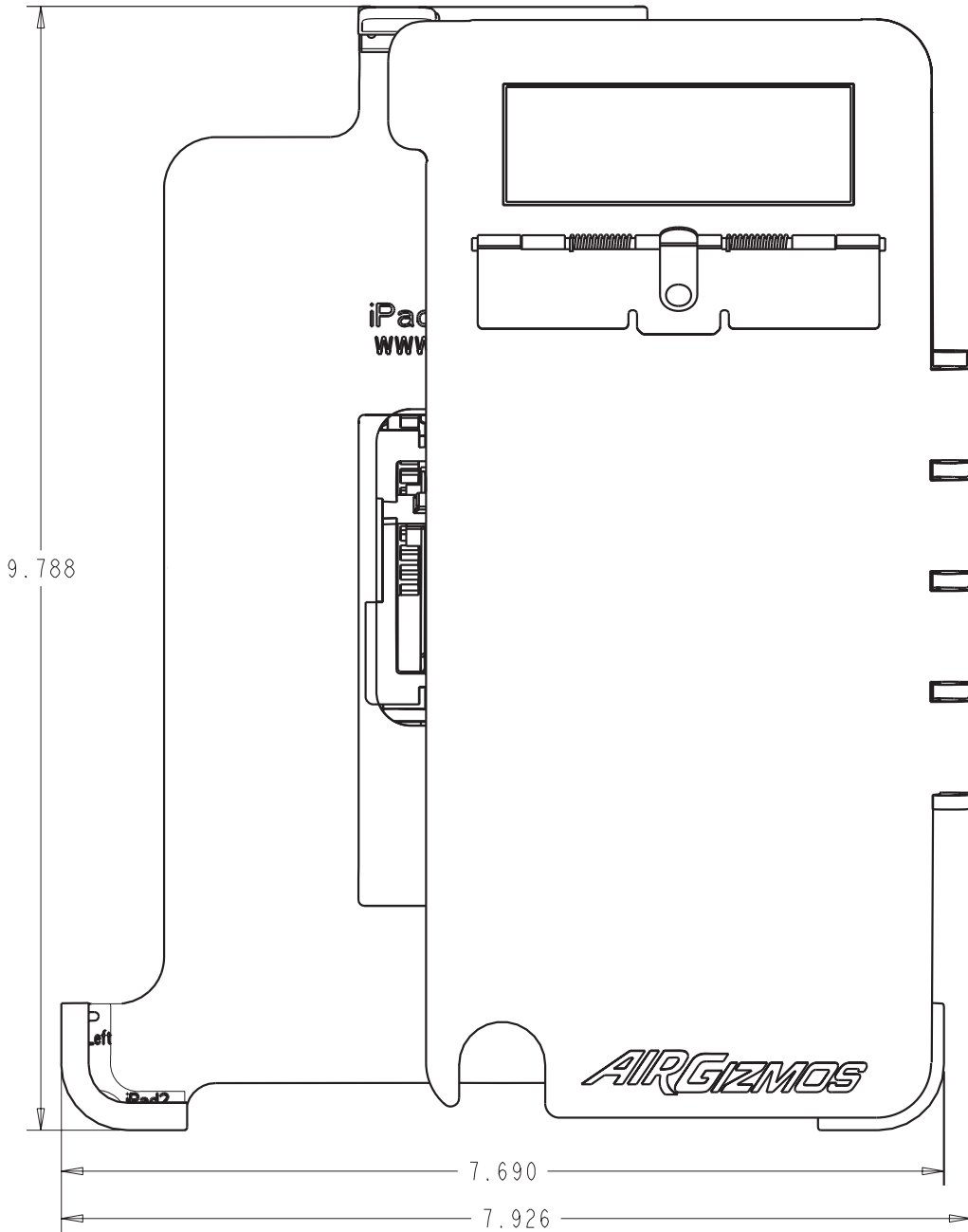
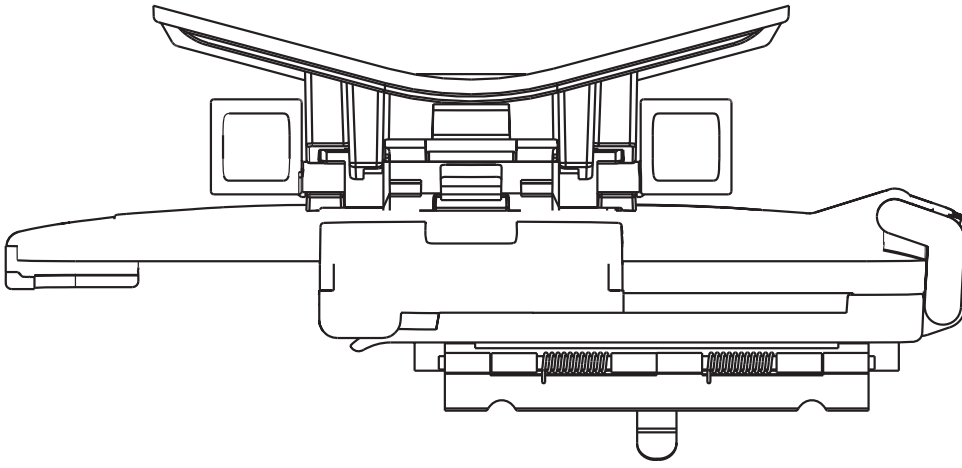
To place an order or inquire for more information, visit our website or contact us at:

www.airgizmos.com

(972) 671 - 8001 tel
(972) 231 - 3870 fax

1100 Jupiter Rd, Suite 110
Plano, TX 75074

info@airgizmos.com
sales@airgizmos.com



Not to scale